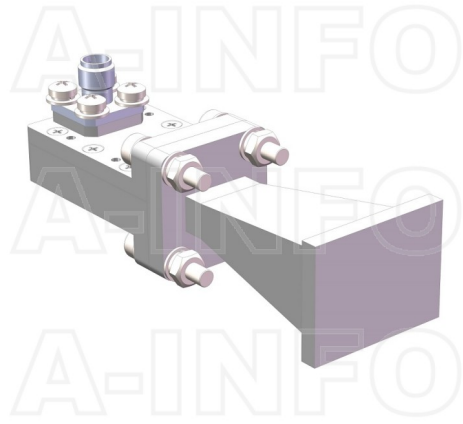


LB-42-10-C-KFSPO Standard Gain Horn Antenna 18-26.5GHz 10dB Gain 2.92mm Female



Standard Gain Horn Antenna Operating From 18GHz to 26.5GHz With a Nominal 10dB Gain With 2.92mm Female Connector

### Product Information

SKU	LB-42-10-C-KFSPO
-----	------------------

### Description

Standard Gain Horn Antenna LB-42-10-C-KFSPO, operating from 18 to 26.5GHz with a nominal 10dB gain and low VSWR 1.5:1 with 2.92mm Female connector output. The model LB-42-10-C-KFSPO has uniform gain through its frequency span, providing efficient performance characteristics and directionality. It can handle 20W continuously and 40W peak power. Constructed of lightweight corrosion-resistant aluminum, the horn comes with a specially designed weatherproof radome which provides excellent protection against the rain and dust but has very little loss across the full operating frequency band. This standard gain horn antenna is linearly polarized and ideally suited for EMI testing, direction finding, surveillance, antenna gain and pattern measurements and other applications.

### Technical Specification

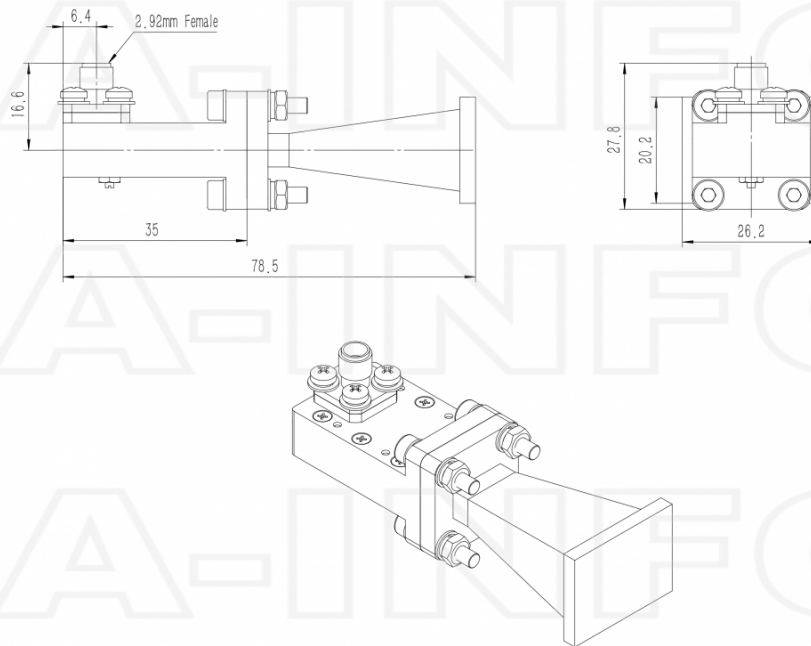
Electrical Specification		Interface	
Frequency, Min (GHz)	18	Output Type	Coaxial
Frequency, Max (GHz)	26.5	Connector	2.92mm(K)
Waveguide Type	Rectangular	Connector Gender	Female
Waveguide Size EIA WR	WR42	Mechanical Specification	
Gain, Typ (dBi)	10	Figure	C Type
Polarization	Linear	Body Material	Cu
3dB Beamwidth, E-Plane, Typ (Deg.)	46	Finish	Gold Plated and Silver Plated, Gray Paint
3dB Beamwidth, H-Plane, Typ (Deg.)	43	Size, W (mm)	26.2
Cross Pol. Isolation, Typ (dB)	40	Size, H (mm)	27.8
VSWR, Typ	1.25:1	Size, L (mm)	78.5
Impedance, (Ohm)	50	Weight, (kg)	0.11
Power Handling, CW, (W)	20		
Power Handling, Peak, (W)	40		

## Additional Information

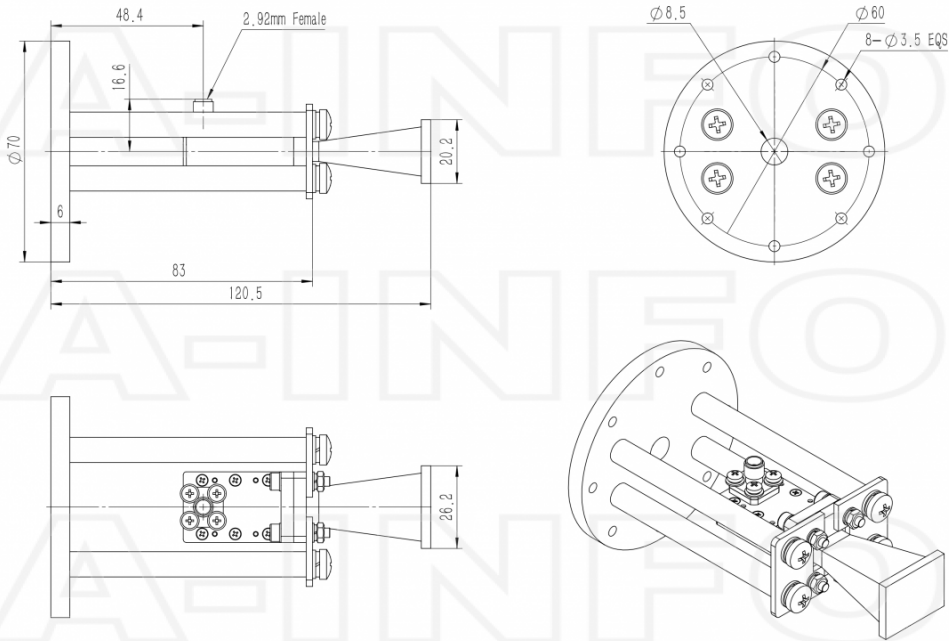
Application	Outdoor, Waterproof and Dustproof, Fixed	Solution for	Gain Reference Antenna Measurement Reflector Feed Far-field Measurement System Intergration Material Measurement
-------------	--	--------------	---

## Outline Drawing

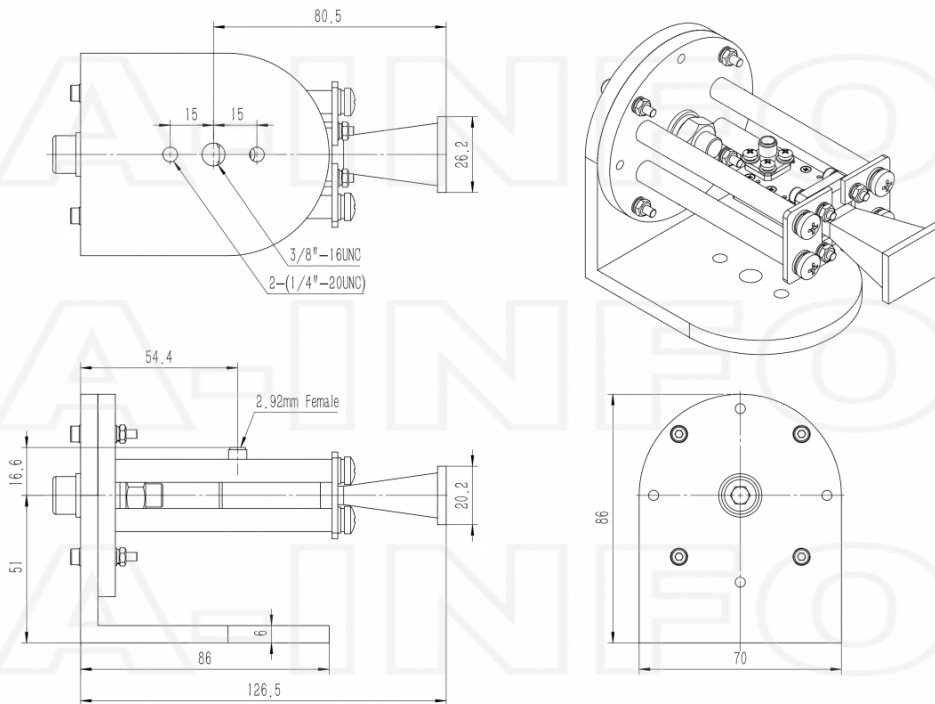
2.92mm Female Output with Radome (Option, P/N: LB-42-10-C-KFSPO, Outdoor Application)



2.92mm Female Output with Round Mounting Bracket & Radome (Option, P/N: LB-42-10-C-MB & LB-42-10-C-KFSPO, Outdoor Application)

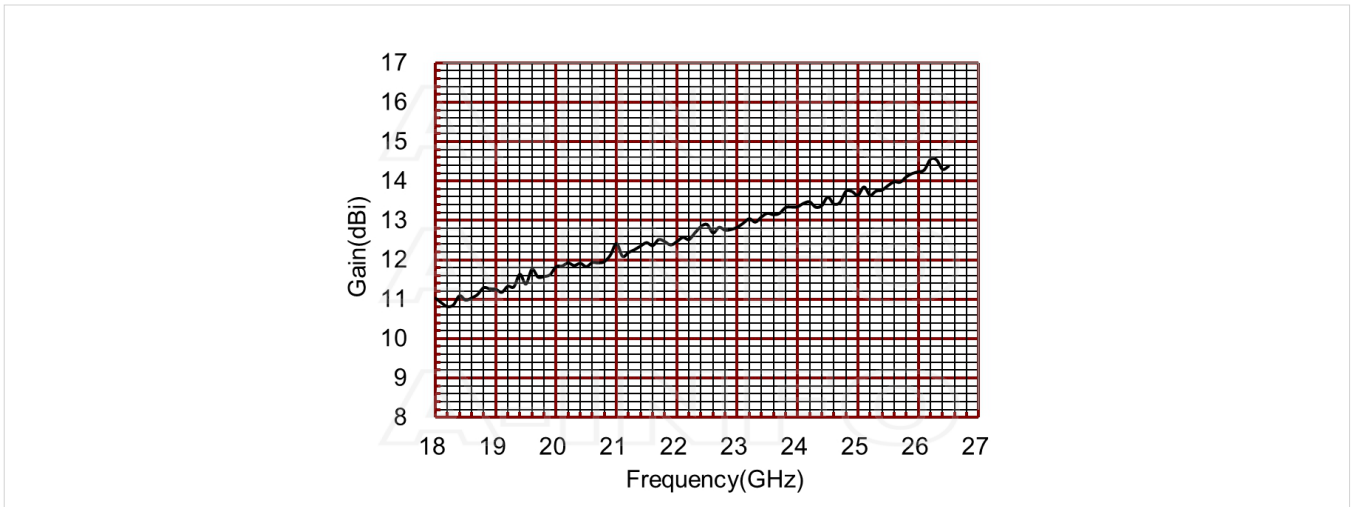


2.92mm Female Output with L Type Mounting Bracket & Radome (Option, P/N: LB-42-10-C-MBL & LB-42-10-C-KFSPO, Outdoor Application)

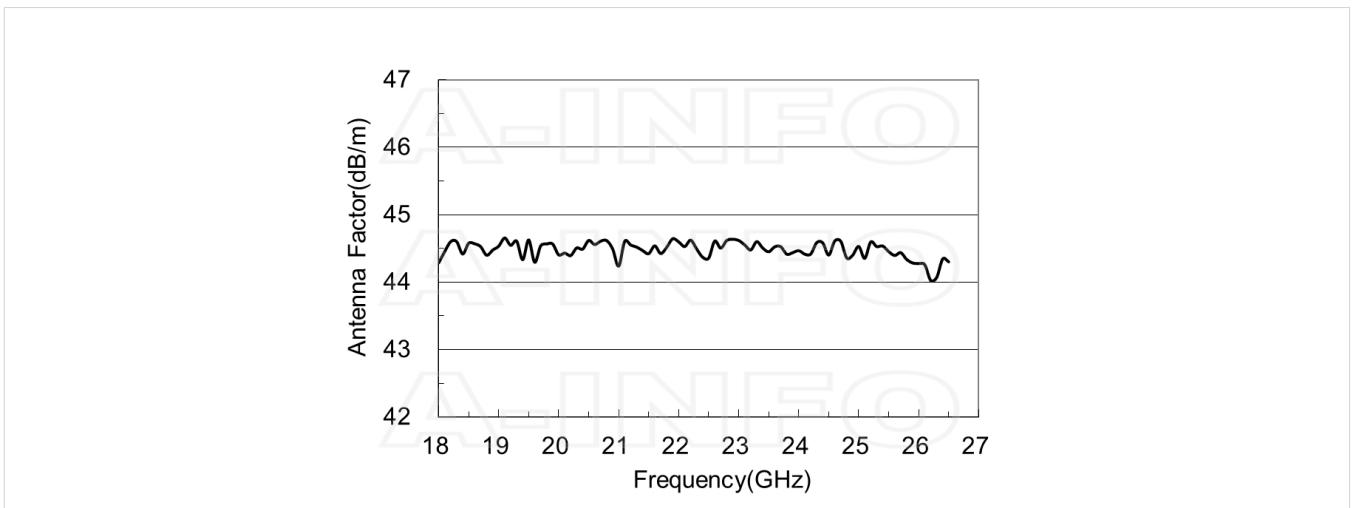


## Typical Test Results

### Gain



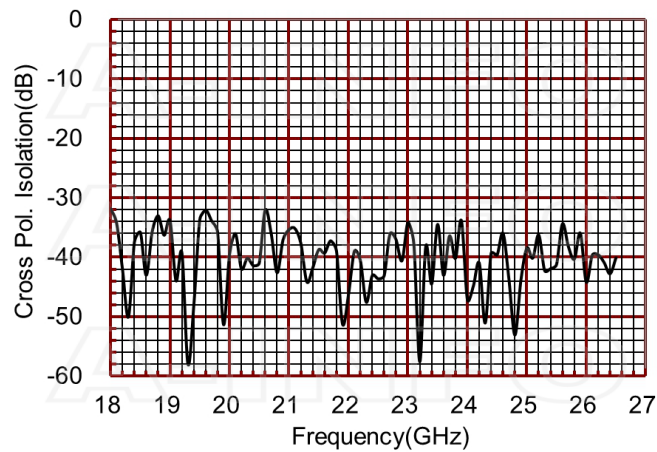
### Antenna Factor



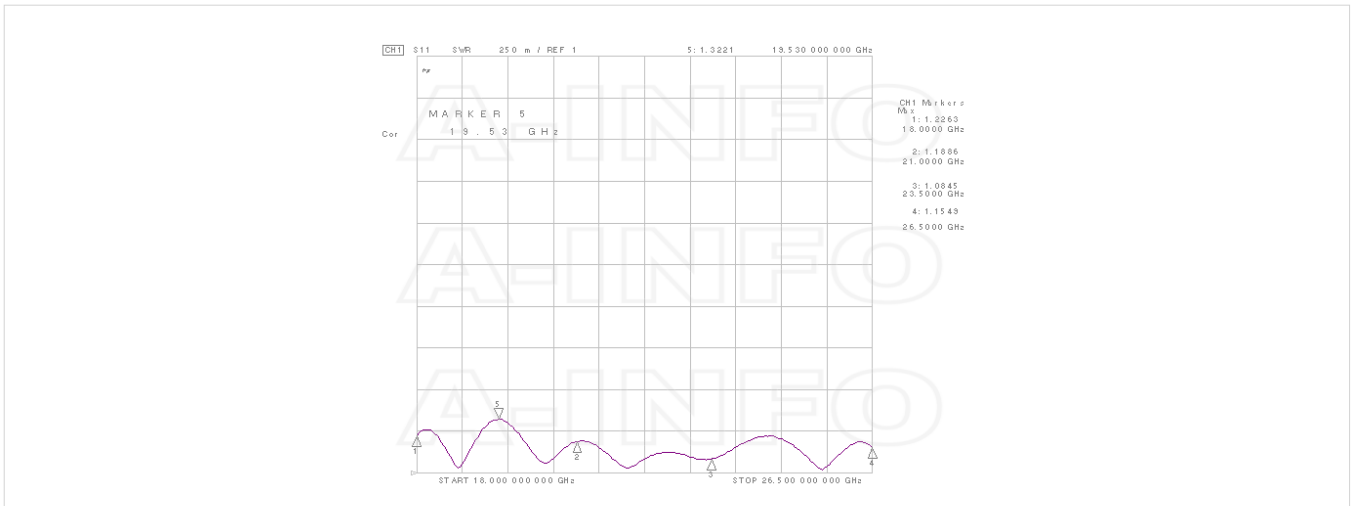
### Antenna Factor (Table)

Frequency(GHz)	Gain(dBi)	Antenna Factor(dB/m)
18.00	11.03	44.29
18.50	10.98	44.58
19.00	11.25	44.53
19.50	11.39	44.63
20.00	11.83	44.40
20.50	11.83	44.62
21.00	12.42	44.24
21.50	12.44	44.42
22.00	12.46	44.60
22.50	12.90	44.36
23.00	12.83	44.62
23.50	13.18	44.45
24.00	13.35	44.47
24.50	13.59	44.40
25.00	13.64	44.53
25.50	13.89	44.45
26.00	14.23	44.27
26.50	14.37	44.30

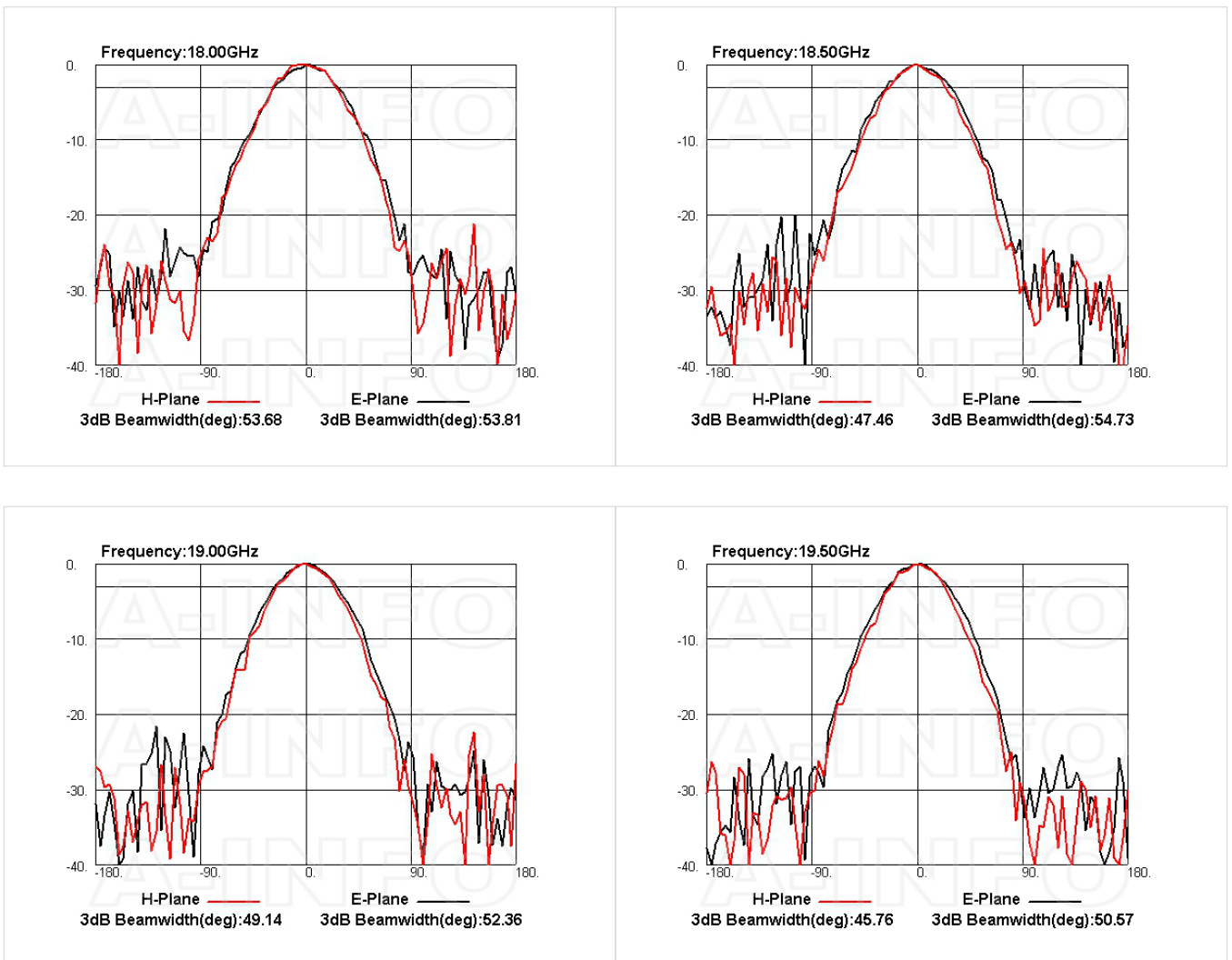
### Cross Polarization Isolation

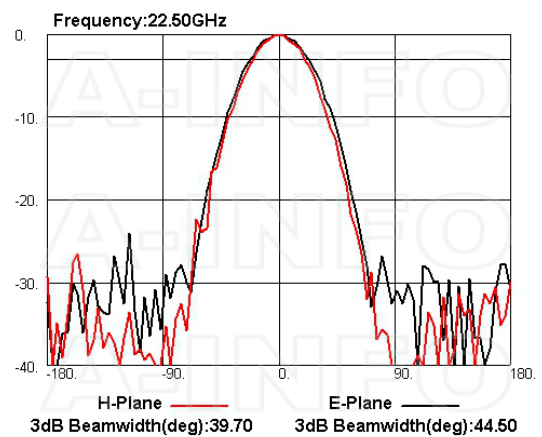
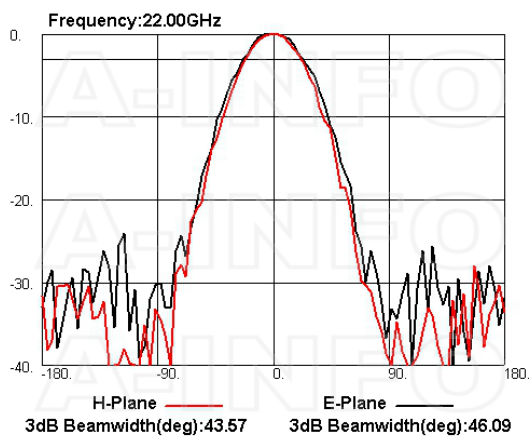
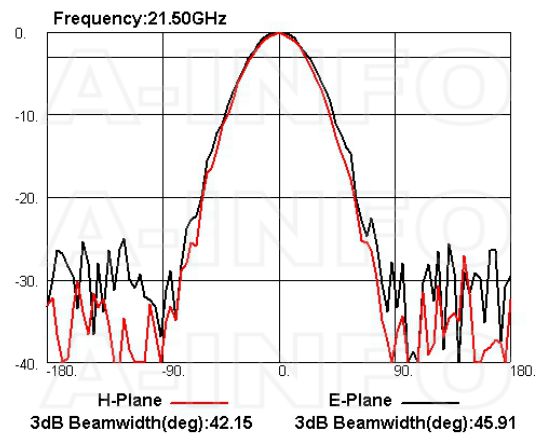
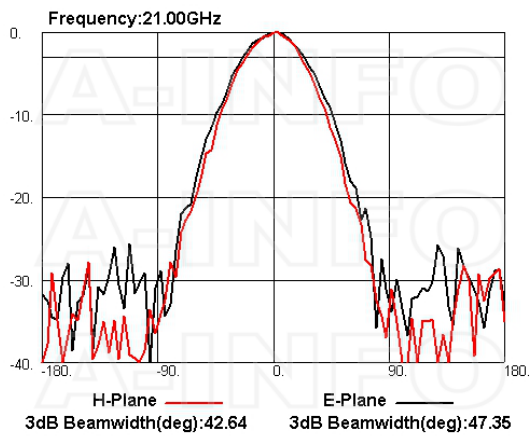
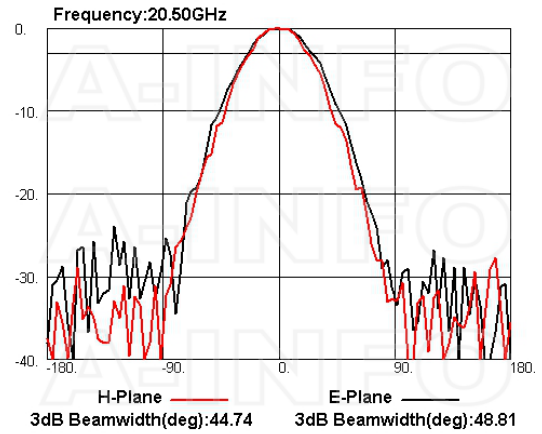
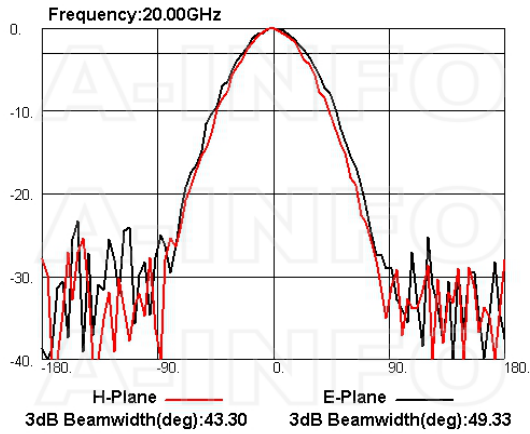


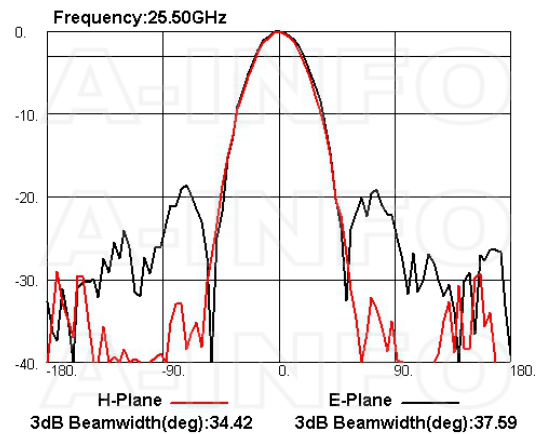
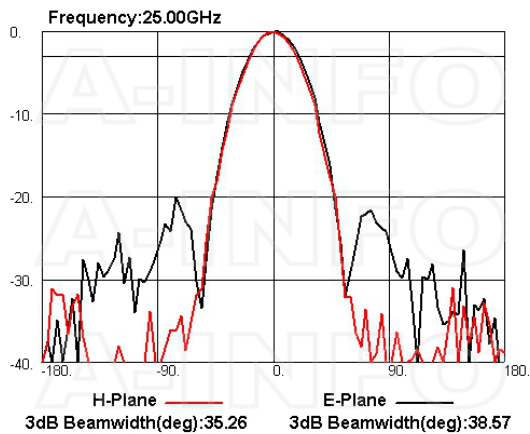
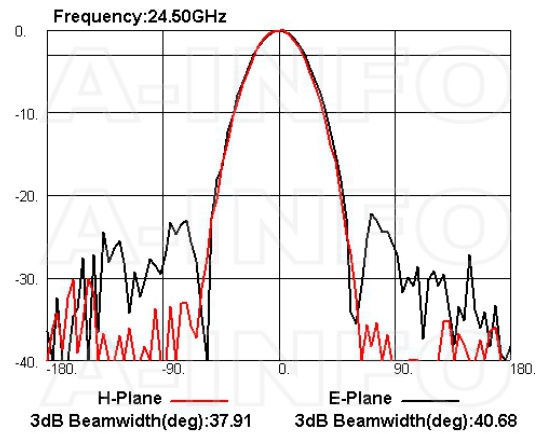
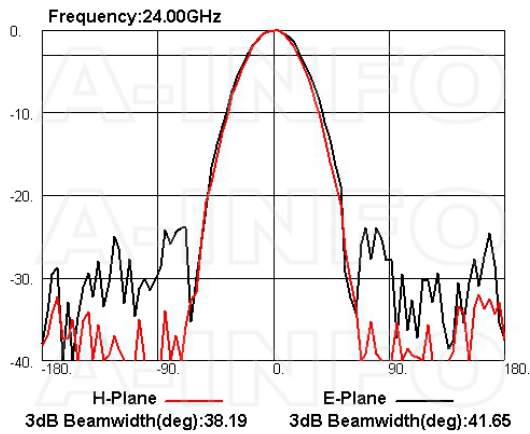
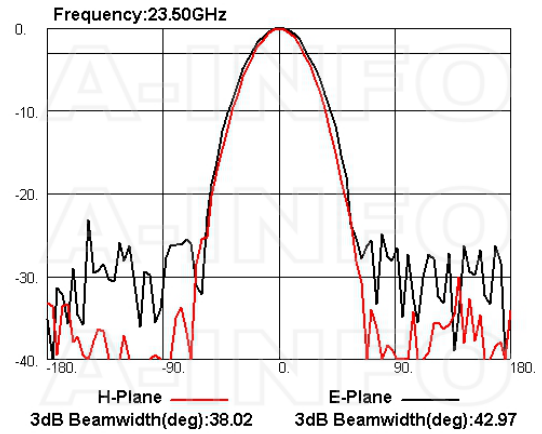
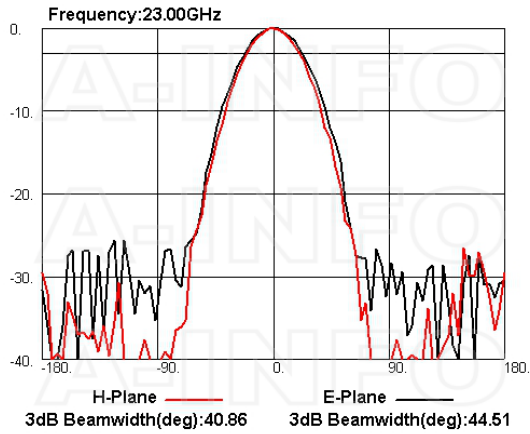
## VSWR



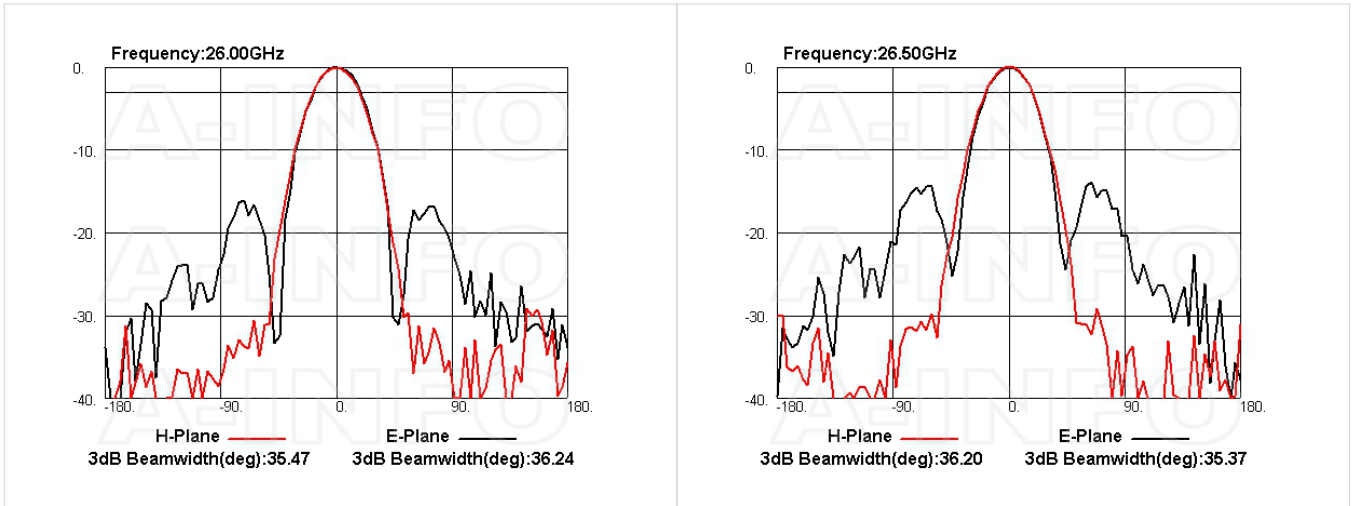
## Pattern











## Related Products



LB-42-10-C-MB Round Type Mounting Bracket



LB-42-10-C-MBL L Type Mounting Bracket



LB-42-10-C-MA Stinger Type Mounting Bracket



Tripod\_15Kg Al Alloy Tripod



3033HL Wooden Tripod



3033QM Wooden Tripod Metalfree



M3x14 Hex\_Pack WR42- WR34 Flange Assembly Pack



2.92M-2.92M-A050-500 Flexible Cable Assembly 500mm DC-40GHz 2.92mm Male to 2.92mm Male



2.92M-2.92M-A050-1000 Flexible Cable Assembly 1000mm DC-40GHz 2.92mm Male to 2.92mm Male



2.92M-2.92M-A050-1500 Flexible Cable Assembly 1500mm DC-40GHz 2.92mm Male to 2.92mm Male



2.92M-2.92M-A050-2000 Flexible Cable Assembly 2000mm DC-40GHz 2.92mm Male to 2.92mm Male



2.92M-2.92M-A050-3000 Flexible Cable Assembly 3000mm DC-40GHz 2.92mm Male to 2.92mm Male



2.92M-2.92M-A050-5000 Flexible Cable Assembly 5000mm DC-40GHz 2.92mm Male to 2.92mm Male

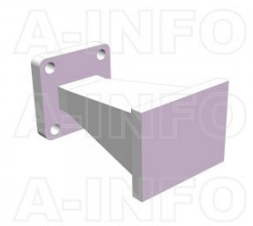


2.92M-2.92M-A050-10000 Flexible Cable Assembly 10000mm DC- 40GHz 2.92mm Male to 2.92mm Male

### Similar Products



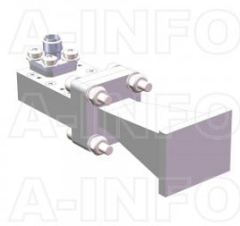
LB-42-10-A Standard Gain Horn Antenna 18-26.5GHz 10dB Gain Rectangular Waveguide Interface



LB-42-10-ASPO Standard Gain Horn Antenna 18-26.5GHz 10dB Gain Rectangular Waveguide Interface



LB-42-10-C-SF Standard Gain Horn Antenna 18-26.5GHz 10dB Gain SMA Female



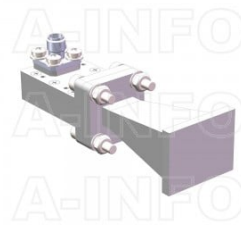
LB-42-10-C-SFSP0 Standard Gain Horn Antenna 18-26.5GHz 10dB Gain SMA Female



LB-42-10-C-KF Standard Gain Horn Antenna 18-26.5GHz 10dB Gain 2.92mm Female



LB-42-10-C-3.5F Standard Gain Horn Antenna 18-26.5GHz 10dB Gain 3.5mm Female



LB-42-10-C-3.5FSP0 Standard Gain Horn Antenna 18-26.5GHz 10dB Gain 3.5mm Female



LB-42-10-C-ESF Standard Gain Horn Antenna 18-26.5GHz 10dB Gain Endlaunch SMA Female

### About this Datasheet

- **Product Information**

Product Link:  
<https://www.ainfoinc.com/lb-42-10-c-kfspo-standard-gain-horn-antenna-18-26-5-ghz-10db-gain-2-92mm-female>  
 Data subject to change without notice.  
 © A-INFO INC. 2023. All Rights Reserved

- **Contact Us**

Address:dd  
 60 Tesla, Irvine, CA 92618, USA

Website:  
[www.ainfoinc.com](http://www.ainfoinc.com)

Email:  
[sales@ainfoinc.com](mailto:sales@ainfoinc.com)

- **Phone & Fax**

Phone:  
 +1-949-639-9688  
 +1-949-639-9608

Fax:  
 +1-949-639-9670